

ST-1700CIR

SmarTouch™, 1-Way IR Wireless 5.7" Active Matrix Color Touchpanel

The ST-1700CIR is a stylish and compact IR wireless touchpanel featuring a brilliant 5.7" active matrix touchscreen and optional pushbuttons. Isys color graphics and infrared communications combine to deliver outstanding wireless touchpanel performance for applications that may not allow the use of RF-based technologies.

SmarTouch

A SmarTouch touchpanel offers an ideal user-interface for controlling home theater, boardroom AV and a host of other applications, providing a wideopen canvas for the creation of custom control screens tailored to the user's unique needs and tastes. Incredibly compact and portable, the SmarTouch touchpanel does away with piles of remotes and cryptic control panels, affording true "one-touch" control over a broad range of complex devices and systems.

IR Wireless

Affords an operational range of up to 50 feet line-of-sight. The ST-1700CIR is compatible with any Crestron control system via a **C2N-IRGW-1G** or **C2N-IRGW-F** IR Gateway, or with select systems using the **CNXRMIIRD** IR Receiver (both sold separately).

Isys®

The powerful Isys engine produces astonishing 16-bit full-color graphics and images. Programmable logic built into the ST-1700CIR enables virtual button feedback and subpages, affording considerable versatility for a 1-way touchpanel to deliver the "feel" of a more expensive 2-way RF-based panel.

Synapse?

Crestron's exclusive Synapse Image Rendering Algorithm enables system programmers to produce amazing graphics - faster and easier. Advanced antialiasing delivers crisper, sharper objects and text. Enhanced 3D effects add new depth

and style. And because Synapse is native to the touchpanel, memory requirements and upload time are substantially reduced.

Quick-Touch Pushbuttons

The ST-1700CIR includes a button bezel kit which may be installed to provide ten tactile pushbuttons for quick-touch access to frequently used commands. In standby, the pushbuttons may be operated without waking the touchscreen for extended battery life. Custom engraving of the pushbuttons may be attained using Crestron Engraver software.

Long-Life NiMH Batteries

A fast-charging NiMH battery pack is included to provide long-lasting wireless operation, with adjustable power management built in to preserves battery life up to 20 hours in standby.

Docking Station/Charger

Without removing the battery pack, the touchpanel can be placed in the **ST-DSN** docking station (included) for easy recharging, simultaneously providing operating power to the

ST-1700CIR

SmarTouch™, Ç 1-Way IR Wireless 5.7" Active Matrix Color

touchpanel. The docking station may also be used to recharge a spare **ST-BTPN** battery pack (sold separately). And if necessary, the touchpanel may even be powered directly using the **PW-1215** power pack (included).

SPECIFICATIONS

Touchscreen Display

Display Type: TFT active matrix color LCD

Size: 5.7 inch (14.5 cm) diagonal

Aspect Ratio: 4:3 QVGA

Resolution: 320 x 240 pixels

Color Depth: 16-bit, 64k colors

Illumination: Backlit fluorescent

Viewing Angle: ±65° horizontal,

+65°/-40° vertical

Touchscreen: Resistive membrane

Buttons

(10) Replaceable engravable buttons, programmable;

Wireless

IR Carrier: 38 kHz

Format: RC5

Range: 3 to 50 feet typical

Requires [C2N-IRGW-1G](#) or [C2N-IRGW-F](#) IR Gateway, or [CNXRMIRD](#)

Processor

CPU: 32-bit Freescale ColdFire® Microprocessor

Memory

DRAM: 8 MB

Flash: 4 MB

Maximum Project Size: 3 MB

Graphic Engine

Isys engine, 16-bit non-palette graphics; 65,536 colors; Synapse image rendering algorithm; local animation

Audio

Built-in transducer for "key click" sound

Connectors

Power: (1) 2.5mm barrel DC power jack;

12 Volt DC power input ([PW-1215](#)

Cresnet Upload: (1) 3.5 mm mini TRS phone jack;

Battery

Model/Type: [ST-BTPN](#)

Usage per Charge: ~3 hours continuous use at full brightness, 20 hours in standby

Charging Time: 2.7 to 6 hours (depending upon use while charging)

Power Requirements

Touchpanel: 18 Watts (1.5 Amps) @ 12 Volts DC

Docking Station ([ST-DSN](#)

Power Supply ([PW-1215](#)

Environmental

Temperature: 50° to 113°F (10° to 45°C)

Humidity: 10% to 90% RH (non-condensing)

Enclosure

Construction: High impact black/silver injection-molded case

Dimensions

Height: 3.85 in (9.78 cm)

Width: 8.75 in (22.23 cm)

Depth: 5.51 in (14.00 cm)

ST-1700CIR

SmarTouch™, Ç 1-Way IR Wireless 5.7" Active Matrix Color

Weight

1.85 lbs (0.84 kg) - not including battery or docking station

INTERNATIONAL VERSION (230 VAC)

STI-1700CIR

All the features and specifications of the ST-1700CIR except:

Power Requirements

Touchpanel: 18 Watts (1.5 Amps) @ 12 Volts DC

Docking Station ([STI-DSN](#))

Power Supply ([PWI-1215](#))

ACCESSORIES

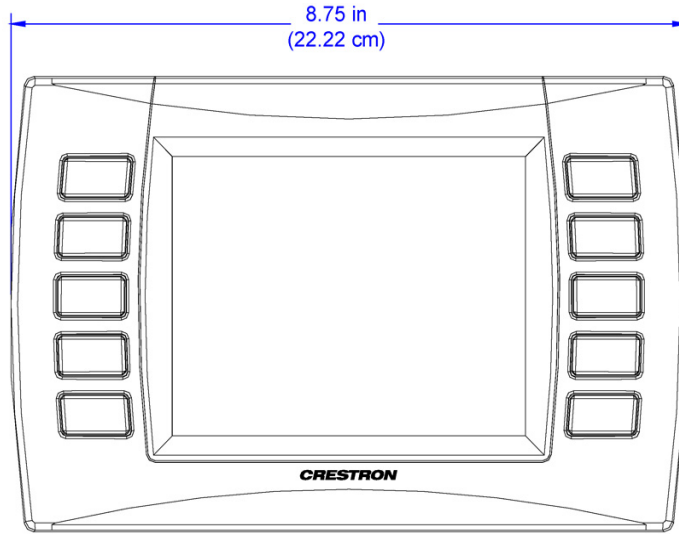
C2N-IRGW-1G:

C2N-IRGW-F:

ST-1700CIR

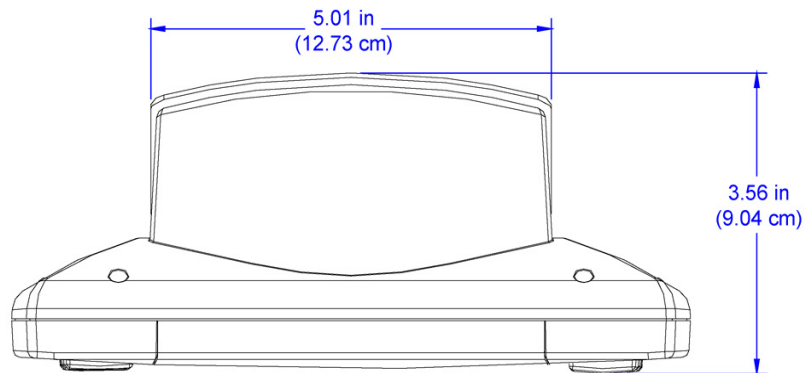
SmarTouch™, 1-Way IR Wireless 5.7" Active Matrix Color

Front

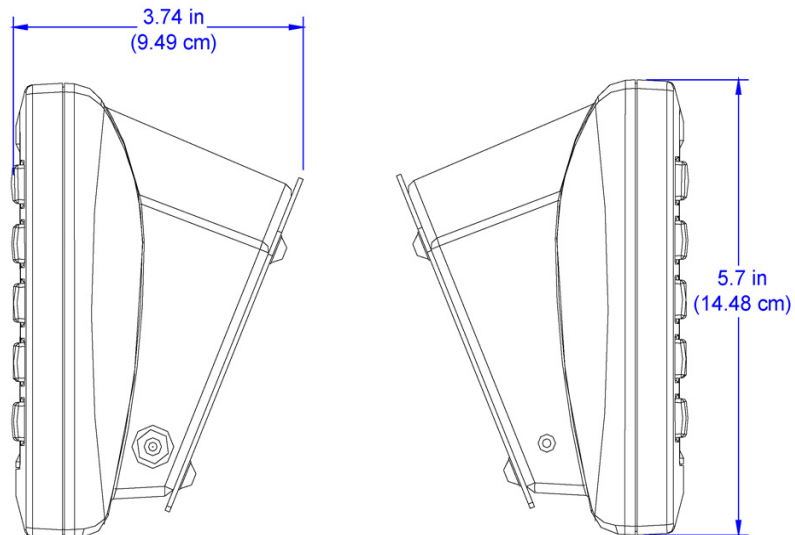


NOTE: Shown with optional engravable pushbuttons

Top



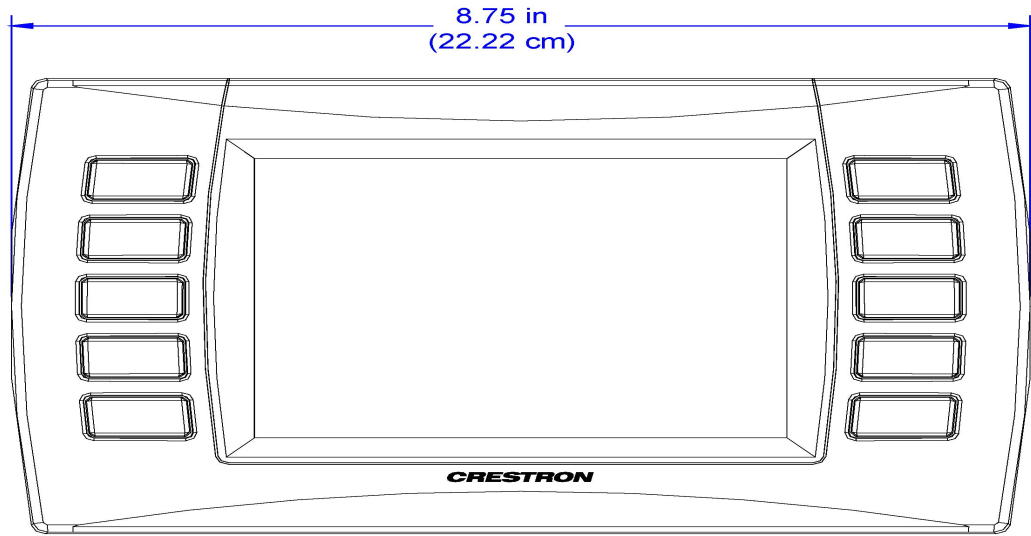
Sides



ST-1700CIR

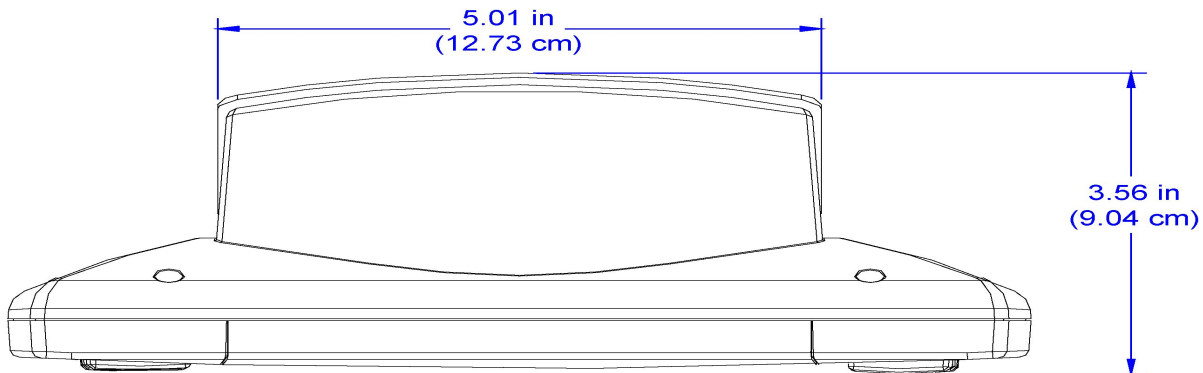
SmartTouch™, 1-Way IR Wireless 5.7" Active Matrix Color

Front



NOTE: Shown with optional engravable pushbuttons

Top



Sides

