

Crestron **TSW-RMB**  
Retrofit Mounting Brackets  
for TSW-750, TSW-752,  
TSW-1050, & TSW-1052

---

Installation Guide



The specific patents that cover Crestron products are listed at [patents.crestron.com](http://patents.crestron.com).

Crestron and the Crestron logo are either trademarks or registered trademarks of Crestron Electronics, Inc. in the United States and/or other countries. Other trademarks, registered trademarks, and trade names may be used in this document to refer to either the entities claiming the marks and names or their products. Crestron disclaims any proprietary interest in the marks and names of others. *Crestron is not responsible for errors in typography or photography.*

This document was written by the Technical Publications department at Crestron.  
©2014 Crestron Electronics, Inc.

# Contents

<b>Retrofit Mounting Brackets for TSW-750, TSW-752, TSW-1050, &amp; TSW-1052: TSW-RMB</b>	<b>1</b>
Introduction .....	1
Physical Description .....	2
Setup .....	7
Supplied Hardware .....	7
Installation .....	8
Resources .....	10
Further Inquiries .....	10
Future Updates .....	10
Return and Warranty Policies .....	11
Merchandise Returns / Repair Service .....	11
Crestron Limited Warranty .....	11



# Retrofit Mounting Brackets for TSW-750, TSW-752, TSW-1050, & TSW-1052: TSW-RMB

---

## Introduction

Replacing an existing wall-mounted Crestron® touch screen with a new TSW-750, TSW-752, TSW-1050, or TSW-1052 touch screen is simplified using a TSW-RMB Retrofit Mounting Bracket. A complete set of brackets is available to streamline the process without having to tear up or patch the wall surface. The TSW-RMB simply mounts over the existing back box, mounting kit, or cutout to accommodate the new touch screen.

TSW-RMB brackets are composed of metal and coated with a white, paintable surface treatment.

---

**NOTE:** When mounting a TSW-750 or TSW-752 using a TSW-RMB bracket, the top and bottom edges of the bracket will be slightly visible.

---

### *Available Models*

MODEL NUMBER	DESCRIPTION
TSW-750-RMB-1	Retrofit Mounting Bracket – APAD, CT/LC-1000, or TPS-2000L to TSW-750 or TSW-752
TSW-750-RMB-2	Retrofit Mounting Bracket – TPS-4L to TSW-750 or TSW-752
TSW-1050-RMB-3	Retrofit Mounting Bracket – APAD, CT/LC-1000, TPS-2000L, or TPS-4L to TSW-1050 or TSW-1052
TSW-1050-RMB-4	Retrofit Mounting Bracket – TPS-6L to TSW-1050 or TSW-1052
TSW-1050-RMB-5	Retrofit Mounting Bracket – TPS-3100L to TSW-1050 or TSW-1052

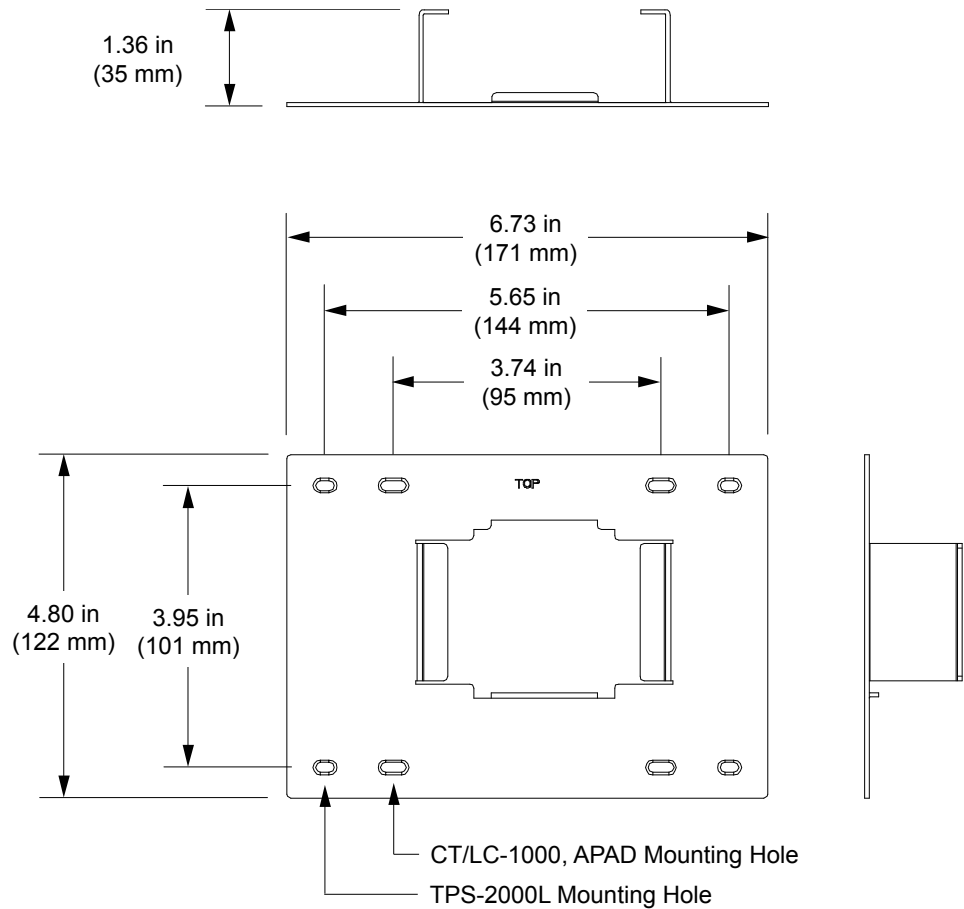
The TSW-750-RMB-1, TSW-750-RMB-2, TSW-1050-RMB-3, TSW-1050-RMB-4, and TSW-1050-RMB-5 are functionally identical. For simplicity within this guide, the term “TSW-RMB” is used except where noted.

Choose the appropriate retrofit mounting bracket by using the following table.

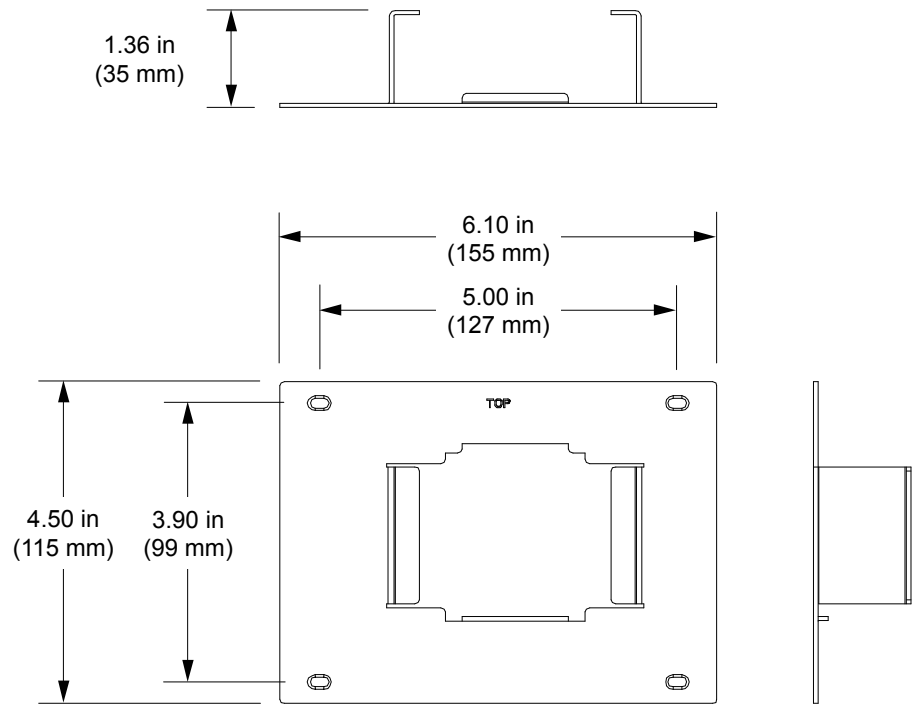
EXISTING TOUCH SCREEN	NEW TOUCH SCREEN	RETROFIT MOUNTING BRACKET
APAD	TSW-750 or TSW-752	TSW-750-RMB-1
	TSW-1050 or TSW-1052	TSW-1050-RMB-3
CT-1000 or LC-1000	TSW-750 or TSW-752	TSW-750-RMB-1
	TSW-1050 or TSW-1052	TSW-1050-RMB-3
TPS-2000L	TSW-750 or TSW-752	TSW-750-RMB-1
	TSW-1050 or TSW-1052	TSW-1050-RMB-3
TPS-3100L	TSW-1050 or TSW-1052	TSW-1050-RMB-5
TPS-4L	TSW-750 or TSW-752	TSW-750-RMB-2
	TSW-1050 or TSW-1052	TSW-1050-RMB-3
TPS-6L	TSW-1050 or TSW-1052	TSW-1050-RMB-4

### Physical Description

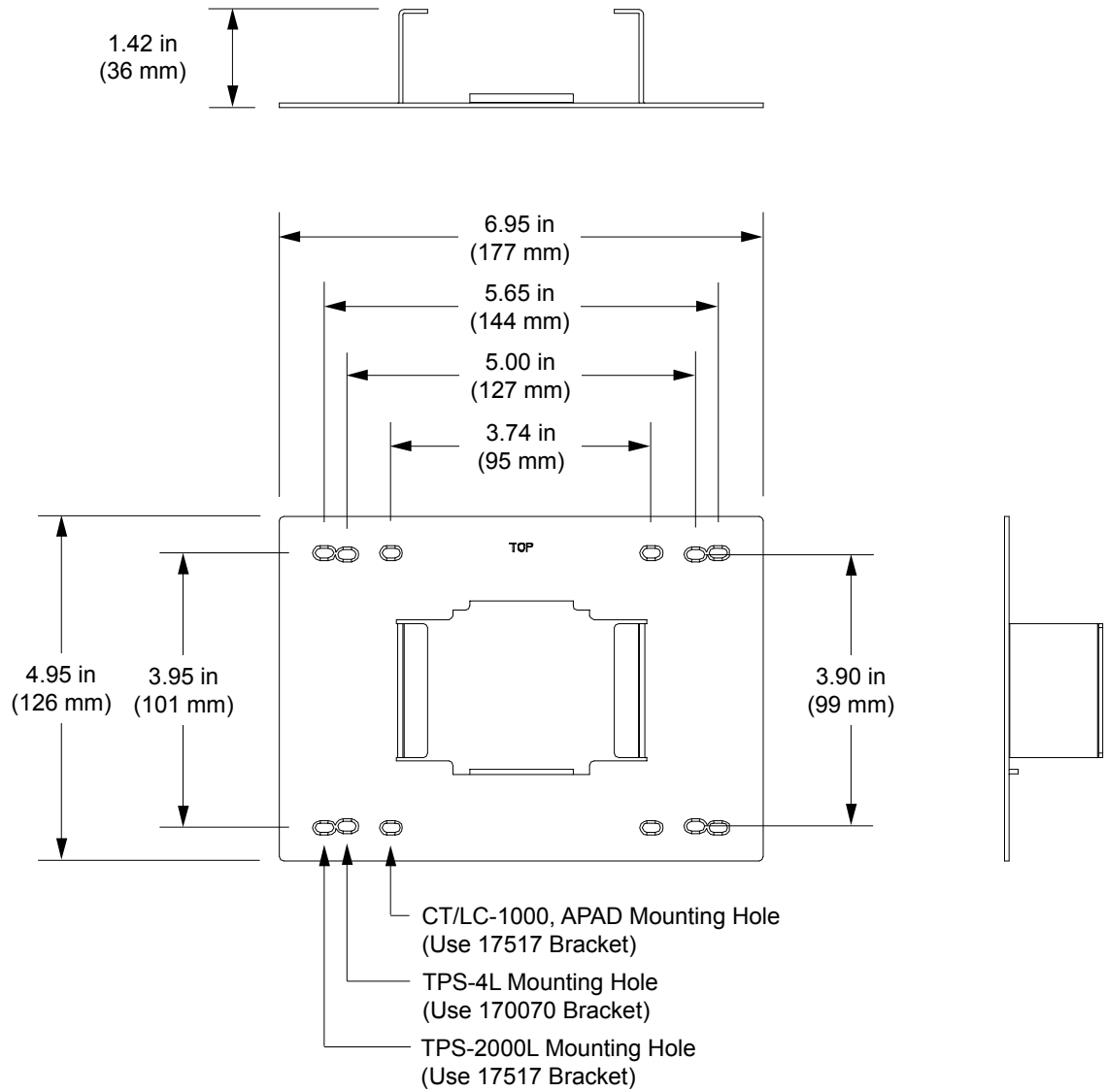
*TSW-750-RMB-1 Overall Dimensions (Top, Front and Side Views)*



*TSW-750-RMB-2 Overall Dimensions (Top, Front and Side Views)*

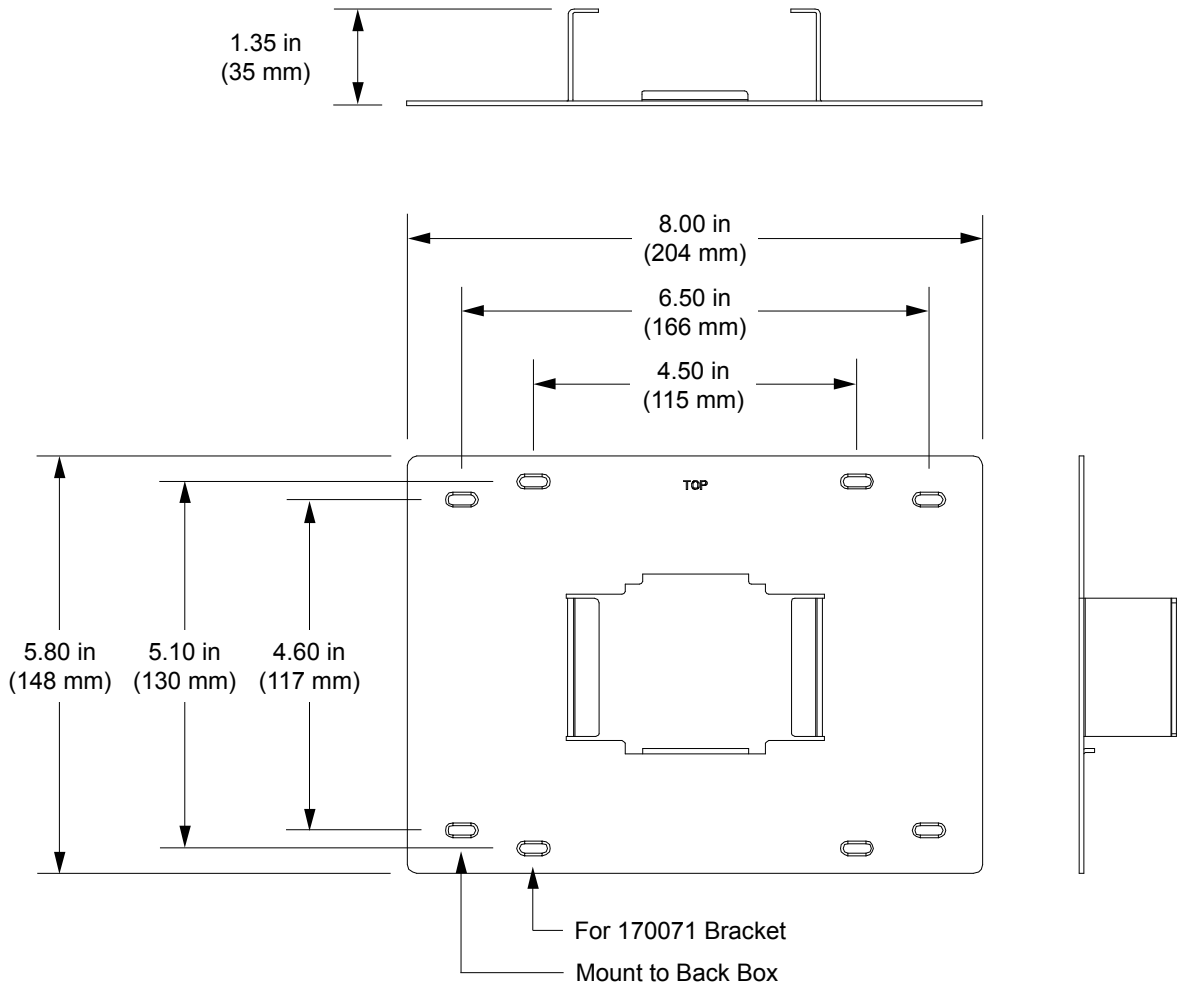


*TSW-1050-RMB-3 Overall Dimensions (Top, Front and Side Views)*

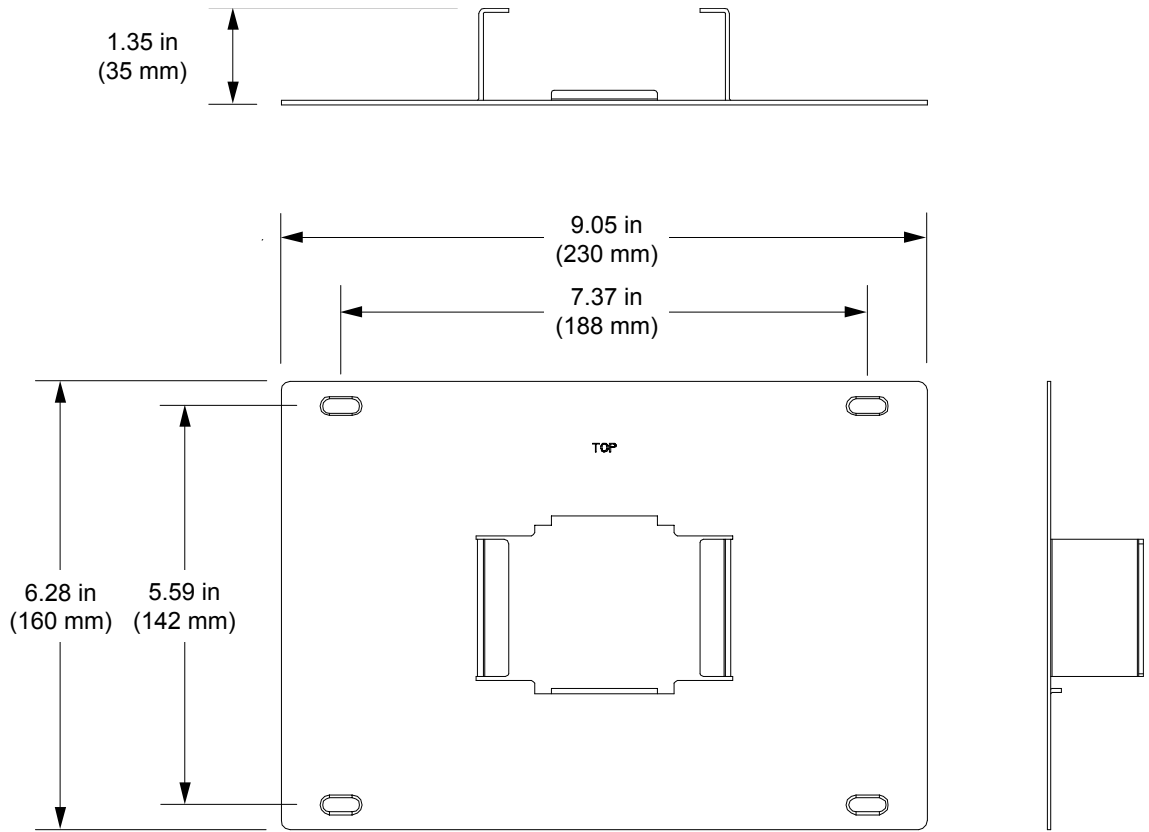




*TSW-1050-RMB-4 Overall Dimensions (Top, Front and Side Views)*



*TSW-1050-RMB-5 Overall Dimensions (Top, Front and Side Views)*



---

## Setup

### Supplied Hardware

The hardware supplied with the TSW-RMB is listed in the following table.

*Supplied Hardware for the TSW-RMB*

DESCRIPTION	PART NUMBER	QUANTITY
Mounting Bracket, LC/CT-1000 <sup>1</sup>	4001193	2
Mounting Bracket, TPS-4L <sup>2</sup>	4519515	2
Mounting Bracket, TPS-6L <sup>3</sup>	4519516	2
Screw, 04-40 x 3/4", Flat, Phil <sup>4</sup>	2029110	4
Screw, 04-40 x 1 1/2", Flat, Phil <sup>4</sup>	2037906	4
Screw, 06-32 x 1 1/2", Flat Phil <sup>5</sup>	2031703	4

1. This item is included with the TSW-750-RMB-1 and TSW-1050-RMB-3.
2. This item is included with the TSW-750-RMB-2.
3. This item is included with the TSW-1050-RMB-4.
4. This item is included with the TSW-750-RMB-1, TSW-750-RMB-2, TSW-1050-RMB-3 and TSW-1050-RMB-4.
5. This item is included with the TSW-1050-RMB-5.

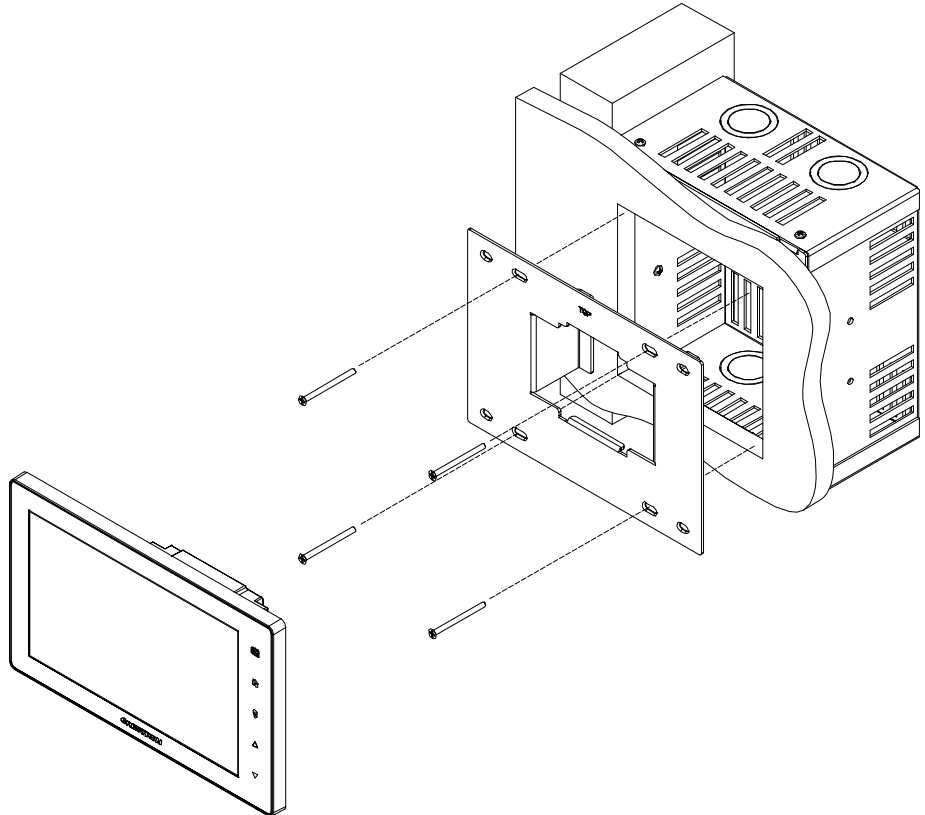
## Installation

### *Installation with a Back Box*

For applications where there is an existing back box, use the four included #04-40 x 1 1/2" screws (2037906) to install the TSW-RMB.

The following illustration shows a TSW-750 touch screen installation using a TSW-750-RMB-1 with a BB-1000L back box but installation with a back box is similar for all TSW-RMB models.

#### *TSW-RMB Installation with Back Box*



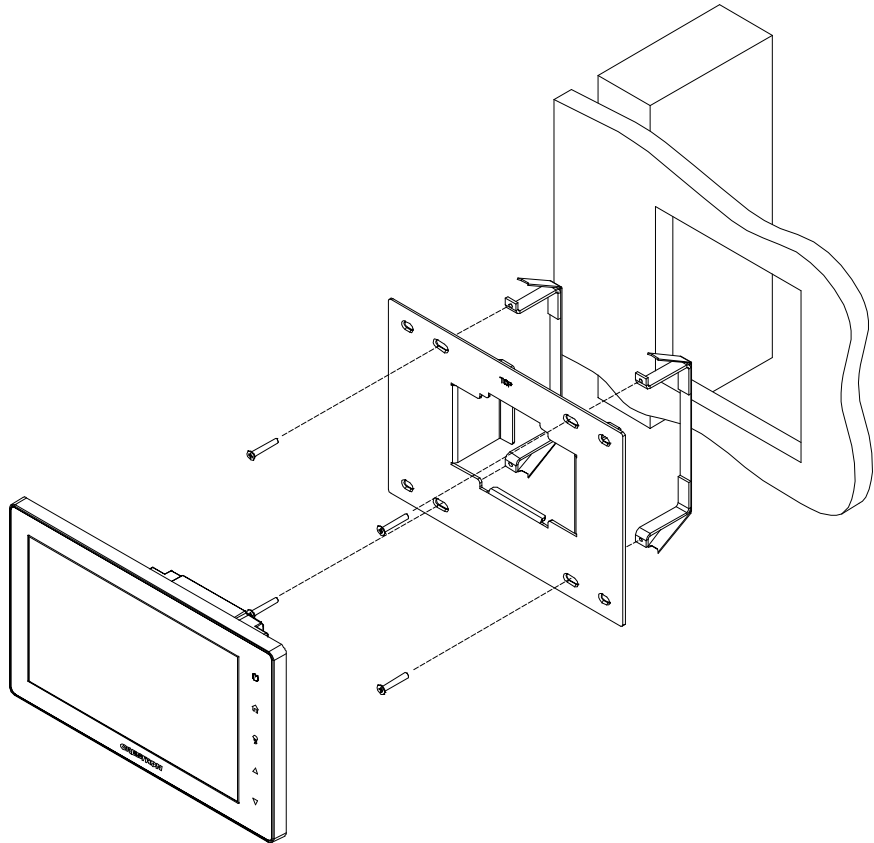
### ***Installation without a Back Box***

For applications where there is no existing back box, use the following installation procedure:

1. Use the four included #04-40 x 3/4" screws (2029110) to loosely attach the TSW-RMB to the included mounting brackets. Install the screws only enough to engage the threads in the mounting brackets. Do not tighten them yet.
2. Push the assembly into the wall until the brackets are fully seated and "clip" to the wall.
3. Tighten the four screws to secure the TSW-RMB.

The following illustration shows a TSW-750 touch screen installation using a TSW-750-RMB-1 with its included mounting brackets but installation without a back box is similar for all TSW-RMB models.

#### ***TSW-RMB Installation without Back Box***



## Resources

### Further Inquiries

To locate specific information or resolve questions after reviewing this guide, contact Crestron's True Blue Support at 1-888-CRESTRON [1-888-273-7876] or, for assistance within a particular geographic region, refer to the listing of Crestron worldwide offices at [www.crestron.com/offices](http://www.crestron.com/offices).

To post a question about Crestron products, log onto Crestron's Online Help at [www.crestron.com/onlinehelp](http://www.crestron.com/onlinehelp). First-time users must establish a user account to fully benefit from all available features.

### Future Updates

As Crestron improves functions, adds new features, and extends the capabilities of the TSW-RMB, additional information may be made available as manual updates. These updates are solely electronic and serve as intermediary supplements prior to the release of a complete technical documentation revision.

Check the Crestron website periodically for manual update availability and its relevance. Updates are identified as an "Addendum" in the Download column.

---

## Return and Warranty Policies

### Merchandise Returns / Repair Service

1. No merchandise may be returned for credit, exchange or service without prior authorization from Crestron. To obtain warranty service for Crestron products, contact an authorized Crestron dealer. Only authorized Crestron dealers may contact the factory and request an RMA (Return Merchandise Authorization) number. Enclose a note specifying the nature of the problem, name and phone number of contact person, RMA number and return address.
2. Products may be returned for credit, exchange or service with a Crestron Return Merchandise Authorization (RMA) number. Authorized returns must be shipped freight prepaid to Crestron, 6 Volvo Drive, Rockleigh, N.J. or its authorized subsidiaries, with RMA number clearly marked on the outside of all cartons. Shipments arriving freight collect or without an RMA number shall be subject to refusal. Crestron reserves the right in its sole and absolute discretion to charge a 15% restocking fee plus shipping costs on any products returned with an RMA.
3. Return freight charges following repair of items under warranty shall be paid by Crestron, shipping by standard ground carrier. In the event repairs are found to be non-warranty, return freight costs shall be paid by the purchaser.

### Crestron Limited Warranty

Crestron Electronics, Inc. warrants its products to be free from manufacturing defects in materials and workmanship under normal use for a period of three (3) years from the date of purchase from Crestron, with the following exceptions: disk drives and any other moving or rotating mechanical parts, pan/tilt heads and power supplies are covered for a period of one (1) year; touch screen display and overlay components are covered for 90 days; batteries and incandescent lamps are not covered.

This warranty extends to products purchased directly from Crestron or an authorized Crestron dealer. Purchasers should inquire of the dealer regarding the nature and extent of the dealer's warranty, if any.

Crestron shall not be liable to honor the terms of this warranty if the product has been used in any application other than that for which it was intended or if it has been subjected to misuse, accidental damage, modification or improper installation procedures. Furthermore, this warranty does not cover any product that has had the serial number altered, defaced or removed.

This warranty shall be the sole and exclusive remedy to the original purchaser. In no event shall Crestron be liable for incidental or consequential damages of any kind (property or economic damages inclusive) arising from the sale or use of this equipment. Crestron is not liable for any claim made by a third party or made by the purchaser for a third party.

Crestron shall, at its option, repair or replace any product found defective, without charge for parts or labor. Repaired or replaced equipment and parts supplied under this warranty shall be covered only by the unexpired portion of the warranty.

Except as expressly set forth in this warranty, Crestron makes no other warranties, expressed or implied, nor authorizes any other party to offer any warranty, including any implied warranties of merchantability or fitness for a particular purpose. Any implied warranties that may be imposed by law are limited to the terms of this limited warranty. This warranty statement supersedes all previous warranties.



Crestron Electronics, Inc.  
15 Volvo Drive Rockleigh, NJ 07647  
Tel: 888.CRESTRON  
Fax: 201.767.7576  
www.crestron.com



Installation Guide – DOC. 7609B  
(2038191)

04.14

Specifications subject to  
change without notice.